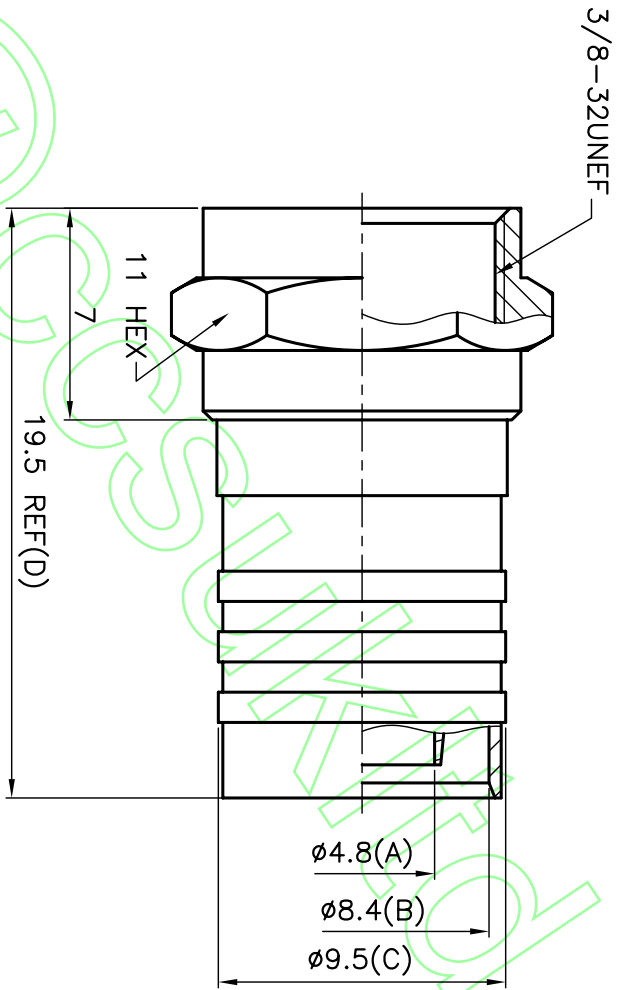
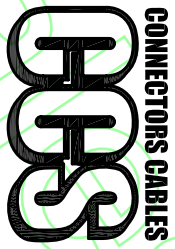


ISS	DESCRIPTION \ DATE

RoHS COMPLIANT



1. CRIMPED FERRULE
HEX CRIMP SIZE .324"



TITLE: F MALE ATTACHED RING
(FOR RG6/U,CT100)

PART NO: FPCR6
DRAWING NO: 062

APRD:	UNLESS OTHERWISE SPECIFIED TOLERANCES
CHKD:	0.5-6 = ±0.2
DR:	>6-30 = ±0.4
DATE: 12/15/06"	>30-120 = ±0.6
SHEET: .	>120-315 = ±1
	>315-1000 = ±1.6
	ANGLES = ±5°

NO.	DESCRIPTION	MATERIAL	FINISH
	SHELL	ZINC ALLOY	NICKEL
	BODY	BRASS	NICKEL
	BODY	BRASS	NICKEL
	BODY	MATERIAL	FINISH